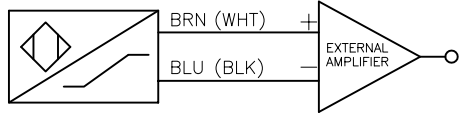
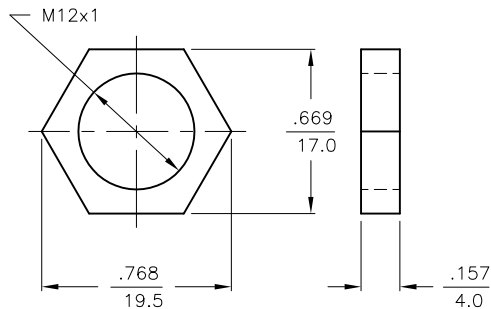


WIRING DIAGRAM



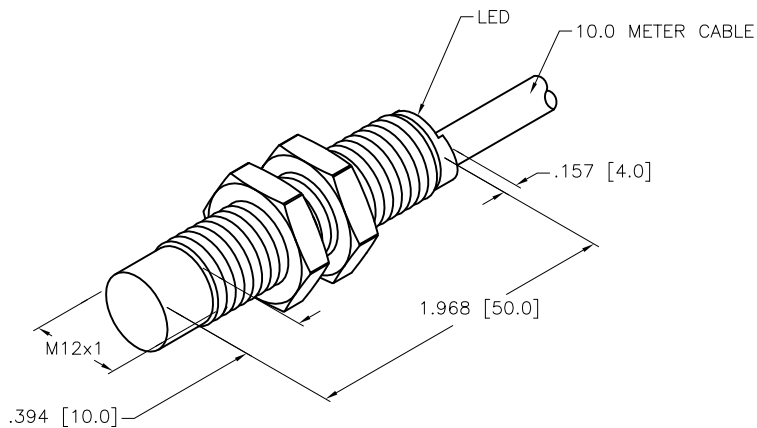
OUTPUT: Y0

LOCKNUT LN-M12



SPECIFICATIONS

| | |
|----------------------------------|----------------------------------|
| RATED OPERATING DISTANCE | 5mm [.197"] |
| MOUNTING MODE | NON-FLUSH |
| MIN. REPEAT ACCURACY | ≤ 2% |
| TEMPERATURE DRIFT | ≤ ±10% |
| HYSTERESIS | 1-10% |
| AMBIENT TEMPERATURE | -25°C to +70°C (-13°F to +158°F) |
| OUTPUT FUNCTION | 2-WIRE, NAMUR |
| MAX. SWITCHING FREQUENCY | ≤ 2.0 kHz |
| VOLTAGE | NOM. 8.2 VDC |
| NON-ACTUATED CURRENT CONSUMPTION | ≥ 2.1 mA |
| ACTUATED CURRENT CONSUMPTION | ≤ 1.2 mA |
| HOUSING MATERIAL | BRASS, CHROME-PLATED |
| ACTIVE FACE MATERIAL | PLASTIC, PA12-GF30 |
| END CAP MATERIAL | PLASTIC, TROGAMID T |
| CABLE | ø5.1, PVC |
| VIBRATION RESISTANCE | 55 Hz (IN ALL 3 PLANES) |
| SHOCK RESISTANCE | 30 g, 11 ms |
| DEGREE OF PROTECTION | IP 67 |
| SWITCHING STATUS INDICATION | LED: YELLOW |



SOURCE DRAWING - FOR REFERENCE ONLY

| | | | | | | | |
|--|--|---|----------|--|---------------|--|--|
| RELATED DOCUMENTS | | 3RD ANGLE PROJECTION | | THIS DRAWING IS CONFIDENTIAL AND THE PROPERTY OF TURCK INC. USE OF THIS DOCUMENT WITHOUT WRITTEN PERMISSION IS PROHIBITED. | | <p>3000 CAMPUS DRIVE MINNEAPOLIS, MN 55441 1-800-544-7769 (763) 553-7300 (763) 553-0708 fax www.turck.us</p> | |
| 1. 2. 3. 4. | | | | DRFT KMY | DATE 01/12/12 | DESCRIPTION NI5-G12-YOX 10M | |
| MATERIAL BRASS BARREL | | ALL DIMENSIONS DISPLAYED ON THIS DRAWING ARE FOR REFERENCE ONLY | | APVD J.M. | SCALE 1=1.0 | IDENTIFICATION NO. 4010196 | |
| FINISH COPPER/NICKEL/ CHROME PLATING | | CONTACT TURCK FOR MORE INFORMATION | | UNIT OF MEASUREMENT INCH [MILLIMETER] | | REV C | |
| C | UPDATE ID NUMBER PER HARMONIZATION PROJECT | CBM | 11/06/17 | DO NOT SCALE THIS DRAWING | | FILE: 4010196 | |
| REV | DESCRIPTION | BY | DATE | ECO NO. | | SHEET 1 OF 1 | |